

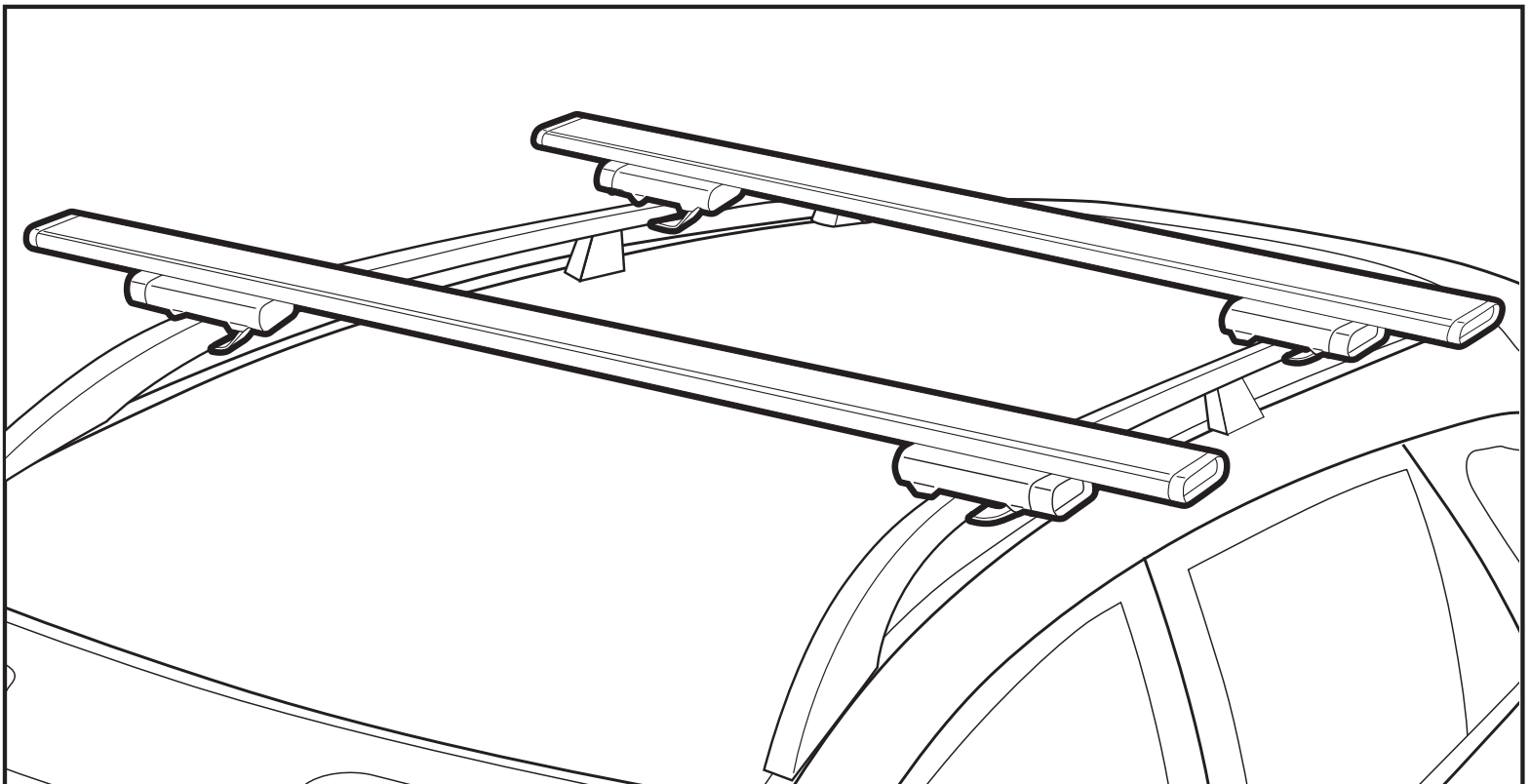


**PRODUCT REGISTRATION:**

MAKE SURE TO REGISTER YOUR PURCHASE AT <http://allensportsusa.com/about/product-registration> TO QUALIFY FOR PRODUCT WARRANTY AND TO RECEIVE IMPORTANT PRODUCT NOTIFICATIONS

**WARNING:**

- Rack, accessories or cargo falling in road can cause serious accidents resulting in bodily injury or death - do not use rack on any vehicle on which it can not be properly installed and used as described in this instruction sheet.
- Objects being carried on vehicle crossbars should be properly secured with tie-down straps so that they do not come loose during transport. Loads should never be secured with bungee cords or any strap that can stretch. Check periodically during use that all screws and straps are tight, and that the rack, its load and its accessories are secure.
- Do not exceed the rack system's maximum carrying weight limit of 75 KG (165 LB). The maximum capacity includes the load and any accessories being used to carry/ secure the cargo.
- Drive conservatively, especially over bumps. Never use crossbars off-road.
- Do not use product if any part of the rack is damaged, worn, or missing. Contact R. A. Allen Co., Inc. for replacement parts.
- Use Allen crossbars only in accordance with local motor vehicle and traffic regulations. Adding crossbars and cargo to your vehicle will affect its handling characteristics and you should modify your driving accordingly. Obey all posted speed limits and traffic cautions, and speed should be reduced to adapt to the road conditions and load being carried.
- All objects that extend forward or behind your vehicle must be tied down front and rear to the bumper or tow hooks on your vehicle.
- Always remove any roof bars, accessories or other car racks when entering an automatic car wash.
- Never use Allen Crossbars and accessories for anything other than which they are designed for and only as described in this instruction sheet. Failure to do so could cause serious accidents resulting in bodily injury or death, and it will void the product warranty.





**WARNING: DANGEROUS SCENARIOS**

**HEIGHT**

Adding crossbars and accessories to your vehicle's roof increases the vehicle's height. Please take note of your vehicle's height with accessories installed and keep height displayed on vehicle dashboard while using rack.

**WEIGHT**

Adding weight to the roof of your vehicle will alter its handling and performance. Do not exceed the recommended weight limit of the system.

**WIND**

Securing objects to the roof of your vehicle increases its cross sectional surface area, and thus increase the negative effects that wind gusts can have on your vehicle's stability and handling.

**REMOVE CROSSBARS BEFORE ENTERING CAR WASH**

To avoid unnecessary wear and damage to your rack system and its accessories, remove crossbar system before entering automated car washes.

**EXITING VEHICLE**

Use caution when exiting vehicle to adjust rack system or accessories on roadside.

**ROOF BAR SPACING**

At a minimum the roof bars should be no less than 36" apart. A good suggested spacing distance is to take 30% of the overall length of the item being carried (i.e. for a 12' long paddleboard the bars should be approximately 45-48" apart).



**USE CAUTION WITH  
THE SCENARIOS LISTED**

**ABOVE. FAILURE TO DO SO AND /  
OR PROPERLY INSTALL AND USE  
THE RACK AS DESCRIBED IN THIS  
INSTRUCTION SHEET CAN BE HAZ-  
ARDOUS AND LEAD TO SERIOUS  
INJURY OR DEATH.**

**MAXIMUM  
LOAD**

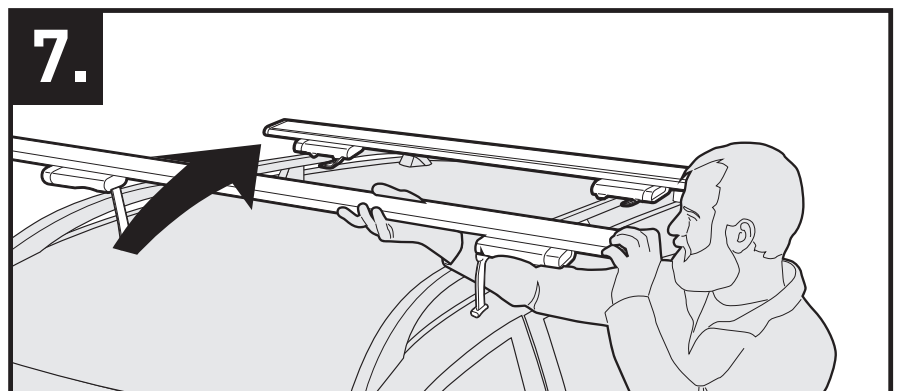
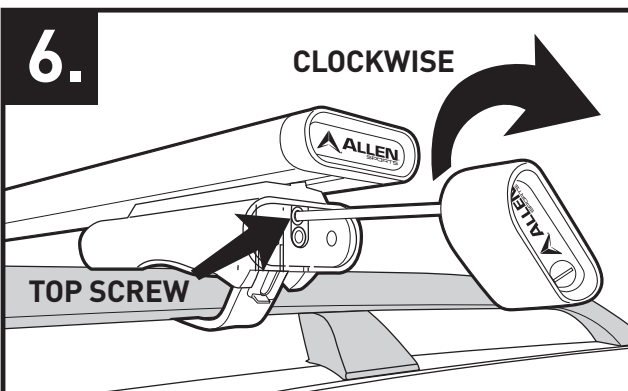
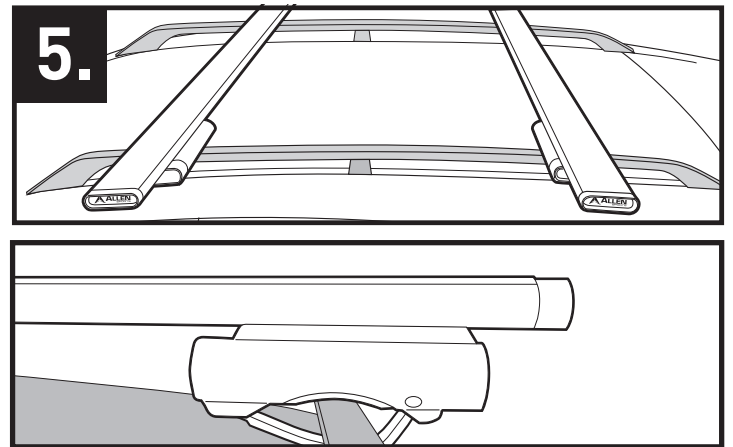
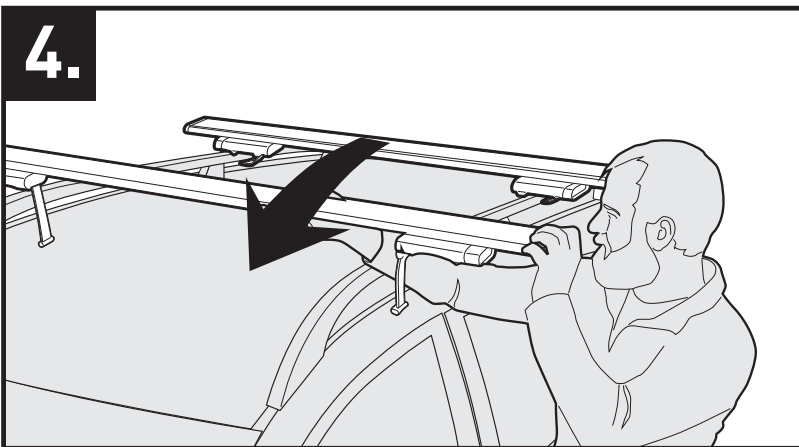
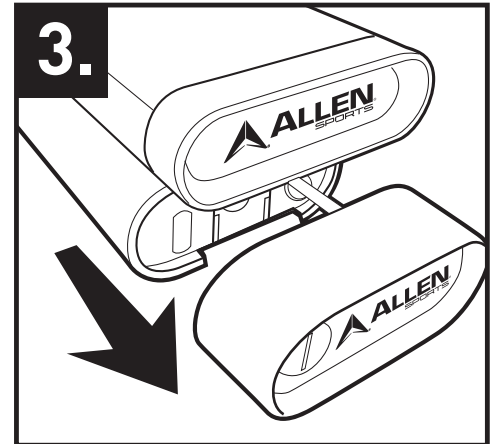
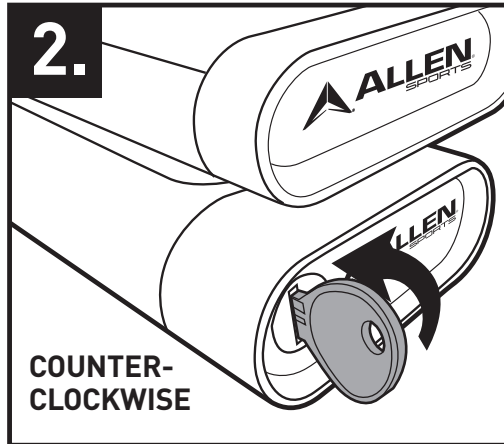
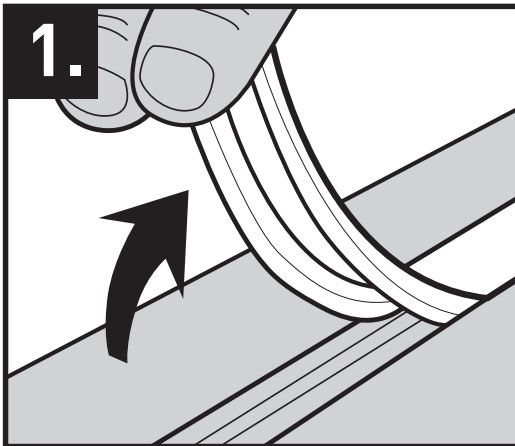
(Including all accessories)

**75 KG (165 LB)**

**DO NOT  
EXCEED**

## FIND CLAMP SPACING

1. Carefully remove plastic Channel Cover
2. Unlock end-cap tools with keys provided. TURN COUNTERCLOCK WISE
3. Remove end-cap tools. Pull out
4. Place crossbars onto vehicle factory rail system, perpendicular to the vehicle's direction, and parallel to each other.
5. Align the bar symmetrically on the vehicle so that clear space on bar is equal on both sides. Align center of pad on bottom of rack clamp to highest point on vehicle's rail system
6. Tighten top screw to set the clamp positions on the crossbar
7. Remove crossbar from vehicle

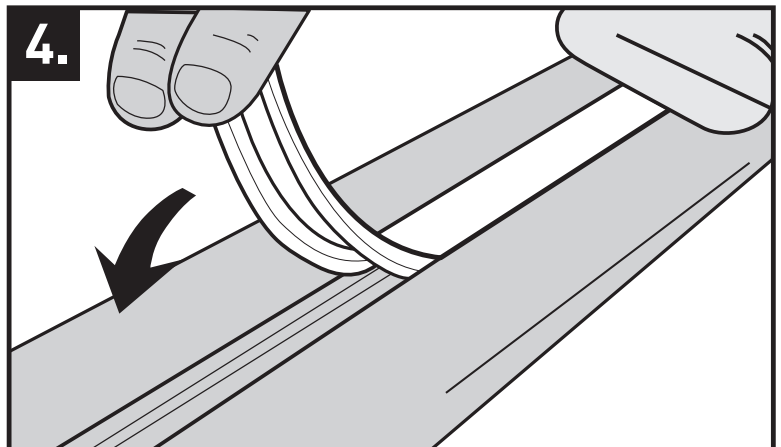
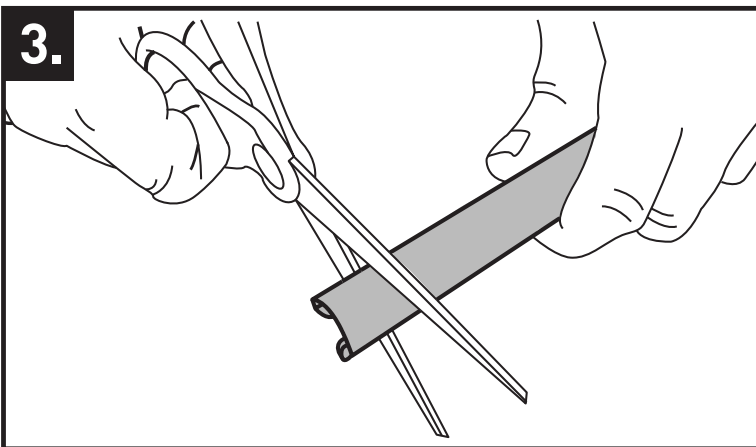
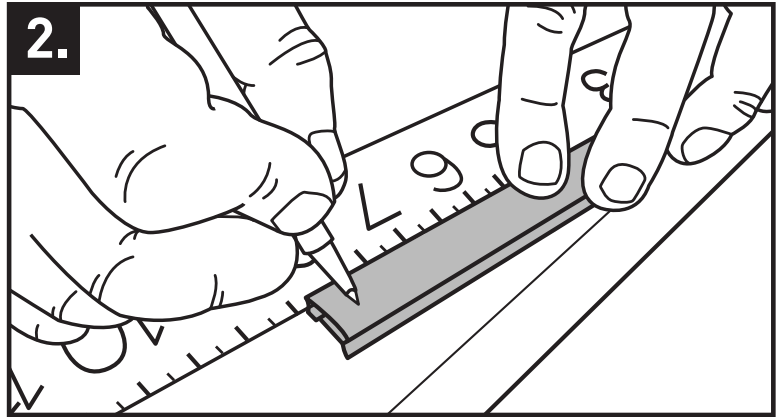
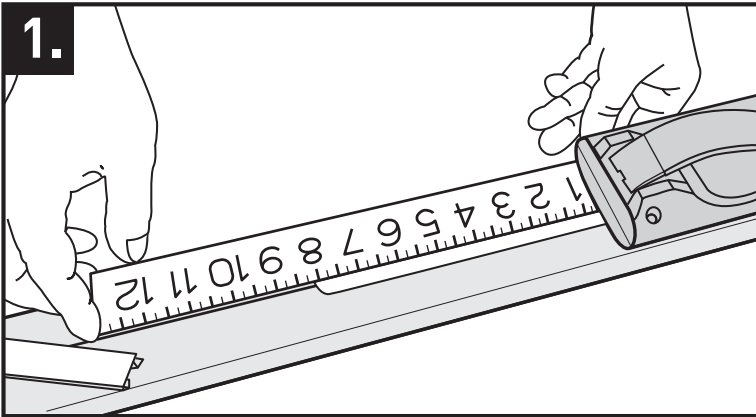




## **SIZING AND INSTALLING PLASTIC CHANNEL COVER**

Installing the Channel Cover reduces wind noise when driving

1. Measure length of open channel to one side of Bar Clamp.
2. Mark length on the corresponding side of the Plastic Channel Cover
3. Cut Channel Cover to length, making sure to keep both pieces.
4. Insert Channel Cover segments into the channel on either side of the Clamp to seal off channel. Please note that the Channel Cover is easiest to install when you insert one end of the cover first and then work toward the other end.



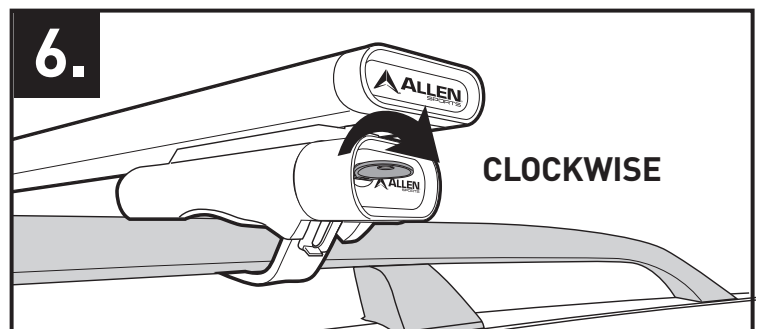
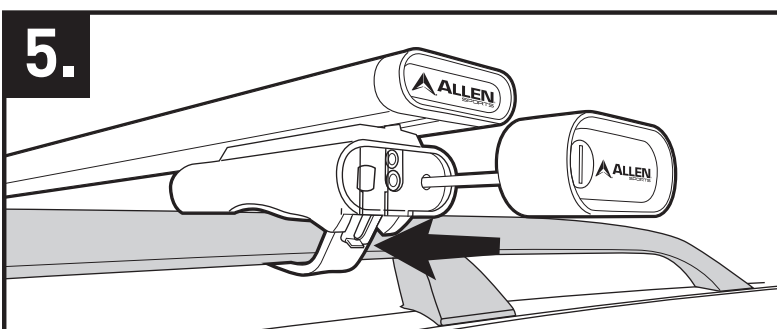
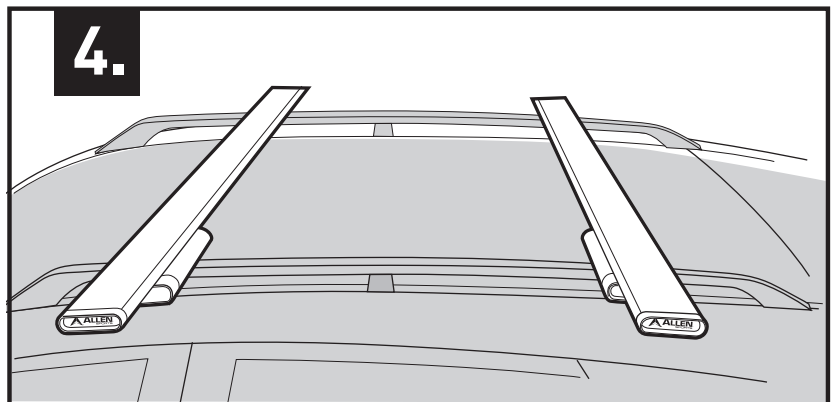
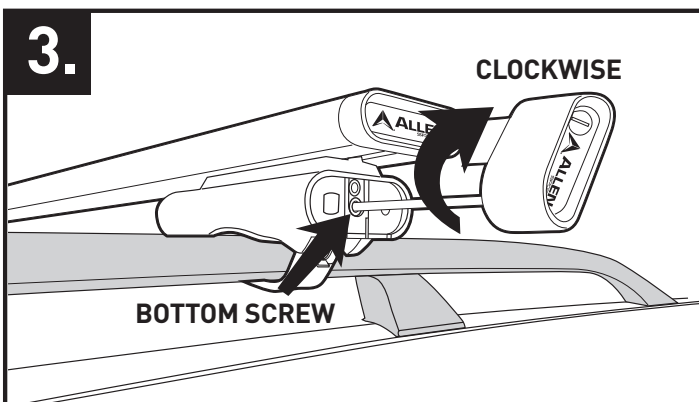
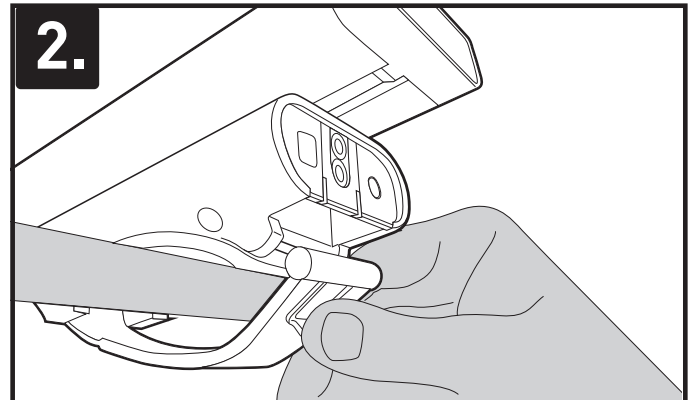
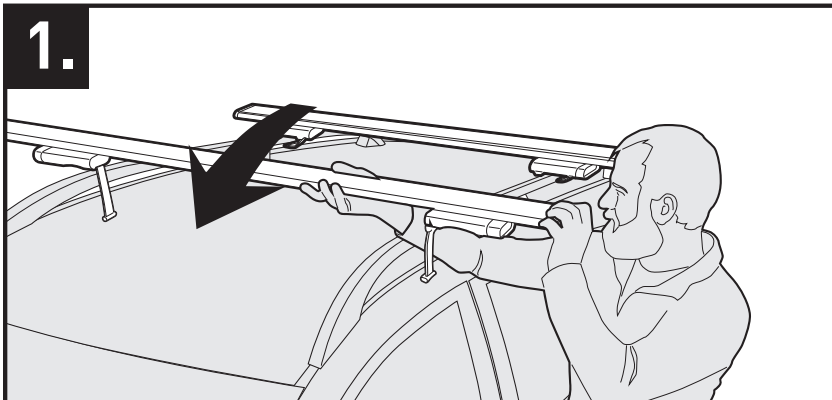


## SECURING CROSSBARS ONTO VEHICLE

1. Place crossbars on vehicle in the same properly aligned position as they were prior to the rubber strip installation
2. Insert strap into slot on clamp housing
3. Tighten the bottom screw until the rack is secured in place, and can not move freely.
4. Double check that the crossbars are properly aligned and secure. They should be parallel to each other and perpendicular to the vehicle's direction.
5. Replace the end-cap tools
6. Lock and secure all end-cap tools

## NOTE:

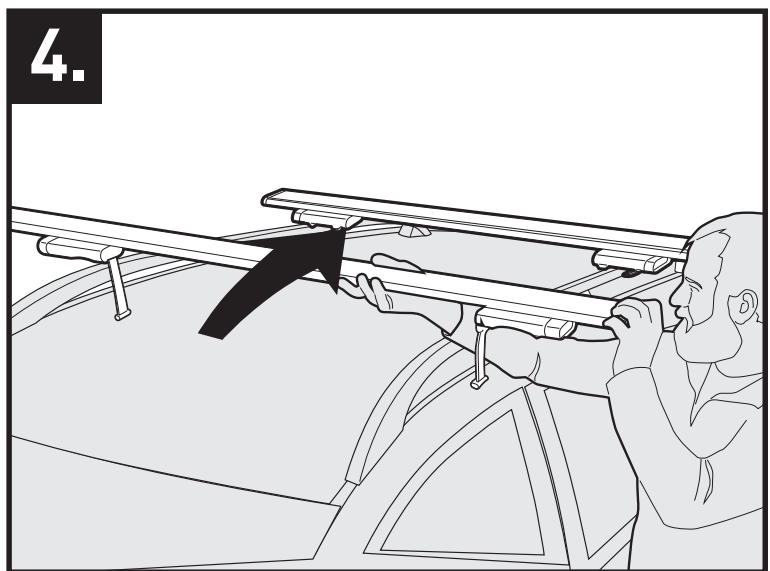
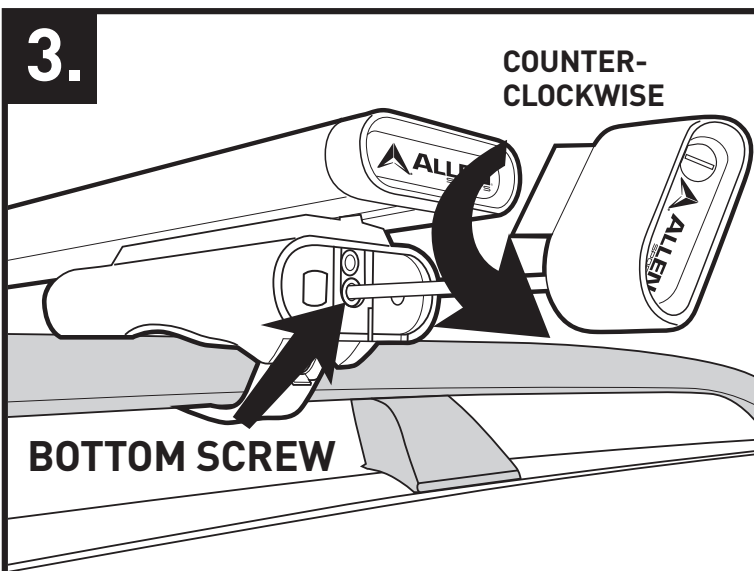
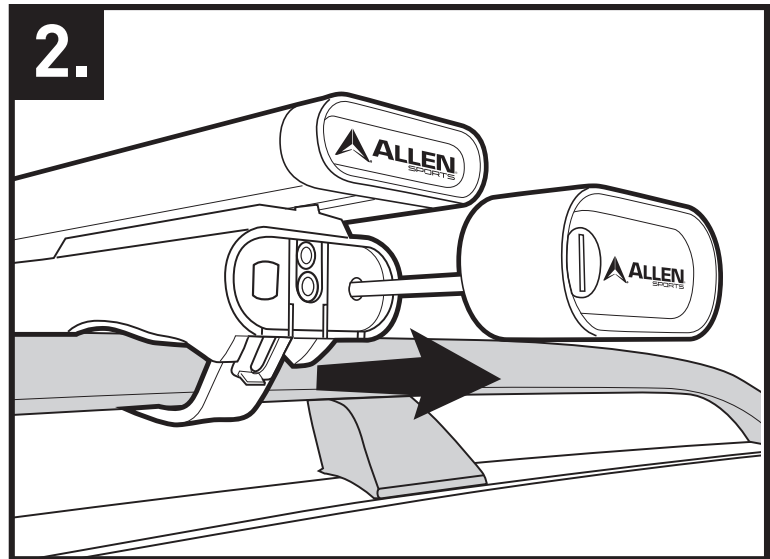
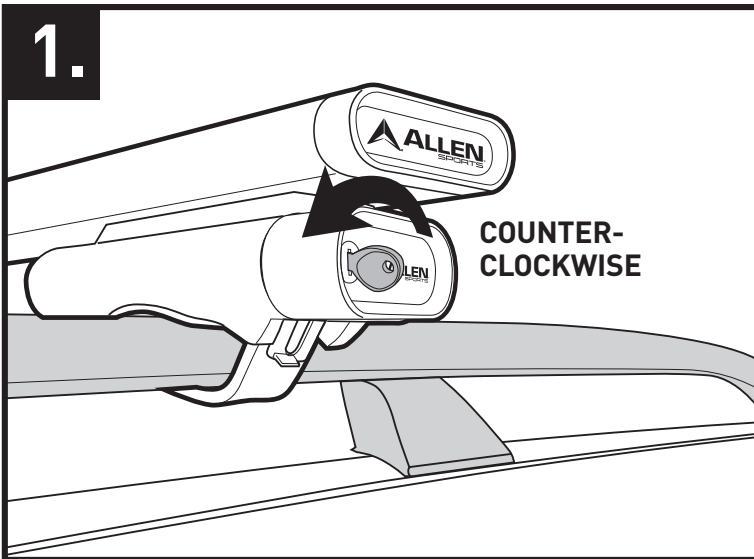
Objects being carried on vehicle crossbars should properly secured with tie-down straps so that they do not come loose during transport. Loads should never be secured with bungee cords or any strap that can stretch. Check periodically during use that all screws and straps are tight, and that the rack, its load and its accessories are secure.





## REMOVING THE CROSS BAR FROM VEHICLE

1. Unlock all endcap tools
2. Remove all endcap tools
3. Turn bottom screw counter-clockwise to loosen clamp straps. Do not loosen top screws, this will allow you to keep the clamp spacing for a faster future install.
4. Remove crossbars from vehicle roof and store safely





**EN IMPORTANT WARNINGS**

- **WARNING:** Rack, accessories or cargo falling in road can cause serious accidents resulting in bodily injury or death - do not use rack on any vehicle on which it can not be properly installed and used as described in this instruction sheet.
- Objects being carried on vehicle crossbars should be properly secured with tie-down straps so that they do not come loose during transport. Loads should never be secured with bungee cords or any strap that can stretch. Check periodically during use that all screws and straps are tight, and that the rack, its load and its accessories are secure.
- Do not exceed the rack system's maximum carrying weight limit of 75 KG (165 LB). The maximum capacity includes the load and any accessories being used to carry/ secure the cargo.
- Drive conservatively, especially over bumps. Never use crossbars off-road.
- Do not use product if any part of the rack is damaged, worn, or missing. Contact R. A. Allen Co., Inc. for replacement parts.
- Use Allen crossbars only in accordance with local motor vehicle and traffic regulations.
- Adding crossbars and cargo to your vehicle will affect its handling characteristics and you should modify your driving accordingly. Obey all posted speed limits and traffic cautions, and speed should be reduced to adapt to the road conditions and load being carried.
- All objects that extend forward or behind your vehicle must be tied down front and rear to the bumper or tow hooks on your vehicle.
- Always remove any roof bars, accessories or other car racks when entering an automatic car wash.
- Never use Allen Crossbars and accessories for anything other than which they are designed for and only as described in this instruction sheet. Failure to do so could cause serious accidents resulting in bodily injury or death, and it will void the product warranty.

**FR AVERTISSEMENTS IMPORTANTS**

- **AVERTISSEMENT:** Un porte-bagages, des accessoires ou un chargement tombant sur la route peuvent provoquer des accidents graves entraînant des blessures corporelles ou la mort — ne pas utiliser le porte-bagages sur tout véhicule sur lequel il ne peut pas être correctement installé et utilisé comme décrit dans cette feuille d'instructions.
- Les objets transportés sur les barres transversales du véhicule doivent être correctement fixés à l'aide de courroies d'arrimage de sorte qu'ils ne se desserrent pas pendant le transport. Les charges ne doivent jamais être fixées à l'aide de tendeurs élastiques ou de toute courroie qui peut s'étirer. Vérifiez périodiquement pendant l'utilisation que toutes les vis et les courroies sont serrées et que le porte-bagages, sa charge et ses accessoires sont arrimés.
- Ne dépassez pas le poids maximal pour le système de porte-bagages de 75 kg (165 lb). La capacité maximale comprend la charge et les accessoires utilisés pour transporter/sécuriser la cargaison.
- Conduisez prudemment, en particulier sur les inégalités de la route.
- N'utilisez jamais les barres transversales pour conduite hors route. N'utilisez pas le produit si une partie du porte-bagages est endommagée, usée ou manquante. Pour des pièces de rechange, communiquez avec A. Allen Co., Inc.
- N'utilisez les barres transversales Allen que conformément à la réglementation locale en matière de véhicules à moteur et de trafic routier. L'ajout de barres transversales et de charges à votre véhicule aura une incidence sur ses caractéristiques de maniabilité et vous devriez modifier votre conduite en conséquence. Respectez toutes les limites de vitesse affichées et les avertissements de la circulation, et la vitesse devrait être réduite selon les conditions de la route et la charge transportée.
- Tous les objets qui se prolongent devant ou derrière votre véhicule doivent être arrimés à l'avant et à l'arrière aux pare-chocs ou aux crochets de dépannage de votre véhicule.
- Avant d'entrer dans un lave-auto, retirez toujours les barres, les accessoires ou autres supports du toit de la voiture.
- N'utilisez jamais les barres transversales et les accessoires Allen à toutes autres fins que celles pour lesquelles elles ont été conçues. Utilisez-les seulement selon cette feuille d'instructions. Le défaut de le faire pourrait provoquer des accidents graves entraînant des blessures corporelles ou la mort et annulera la garantie du produit.

**ES ADVERTENCIAS IMPORTANTES**

- **ADVERTENCIA:** El portabicicletas, los accesorios o cualquier tipo de carga que caiga en la carretera pueden originar graves accidentes produciendo lesiones corporales o la muerte - no utilice el portabicicletas en ningún vehículo en el que no pueda ser instalado y utilizado correctamente tal como se describe en esta hoja de instrucciones.
- Los objetos que se lleven en los travesaños del vehículo deben estar debidamente asegurados con correas de amarre para que no se aflojen durante el transporte. Las cargas nunca deben asegurarse con cuerdas elásticas ni con ninguna correa que pueda estirarse. Revise periódicamente que todos los tornillos y correas estén bien ajustados, y que el portabicicletas, su carga y sus accesorios estén afianzados.
- No exceda el límite del peso máximo de carga del sistema del portabicicletas de 75 kg (165 lb). La capacidad máxima incluye la carga y cualquier accesorio que se utilice para transportar / asegurar la carga.
- Conduzca de manera conservadora, especialmente sobre los baches. Nunca use travesaños fuera de una carretera.
- No utilice el producto si cualquier parte del portabicicletas está dañado, desgastado o si le falta alguna pieza. Póngase en contacto con R.A. Allen Co., Inc. para obtener cualquier pieza de repuesto.
- Utilice solamente los travesaños Allen de acuerdo a las regulaciones locales sobre el tráfico y los vehículos de motor. La adición de travesaños y de cualquier tipo de carga en su vehículo afectarán las características de conducción del mismo y, por tanto, deberá modificar su manera de conducir en consecuencia. Obedezca todos los límites de velocidad y avisos de tráfico, y reduzca la velocidad para adaptarse a las condiciones de la carretera y a la carga que esté transportando.
- Todos los objetos que se extiendan hacia adelante o hacia atrás en su vehículo deberán estar amarrados, ya sea en la parte delantera o trasera, a los ganchos de remolque o del parachoques en su automóvil.
- Retire siempre cualquier barra o accesorio del vehículo al entrar en un autolavado.
- Nunca utilice los travesaños y accesorios Allen para ninguna otra cosa distinta para la que fueron diseñados. Utilícelos solamente tal como se describe en esta hoja de instrucciones. El uso incorrecto podría originar graves accidentes que pudieran producir lesiones físicas o la muerte, anulando la garantía del producto.

**ALLEN LIFETIME WARRANTY:**

IF AN ALLEN BIKE RACK IS FOUND TO HAVE A DEFECT IN WORKMANSHIP OR MATERIAL OVER THE LIFETIME OF THE ORIGINAL PURCHASER, ALLEN WILL REPAIR OR REPLACE THE RACK FREE OF CHARGE. THE WARRANTY DOES NOT COVER DAMAGE OR WEAR WHICH OCCURS AS A RESULT OF DAY TO DAY USE OR GENERAL WEAR AND TEAR. FOR COMPLETE WARRANTY DETAILS, PLEASE VISIT <http://allenracks.com/about/bike-rack-light-and-trailer-warranty>



R. A. ALLEN CO., INC.—ALLEN SPORTS USA  
36 MAPLEWOOD AVE  
PORTSMOUTH, NH 03801, USA  
(800) 722-5536 FAX: (772) 234-5796  
CUSTOMERSERVICE@ALLENSPORTSUSA.COM  
WWW.ALLENSPORTSUSA.COM  
©2017 R. A. ALLEN CO., INC., ALL RIGHTS RESERVED

