

USAGE

LED TAIL LIGHT USAGE INSTRUCTIONS

1. The Premier LED Tail Light is water-resistant. Although the light body is water-resistant (under normal weather conditions of rain, etc), never intentionally submerge it under water.
2. If the body or parts become dirty or have been exposed to any contaminants or dirt, gently clean with a soft towel using mild soap and water only. Lubricate and maintain the light body with silicon based grease on the O-rings. Never use harsh chemicals to clean the lighting system as damage to the housing and lens will occur.
3. Safely and properly dispose of the old batteries according to your location regulations.
4. Never place this lighting system within a child's reach.
5. For ultimate safety, the Premier LED Tail Light should be used in conjunction with reflectors, and possible additional front lighting deemed necessary.
6. Always wear an approved bicycle helmet when riding.
7. Riding a bicycle at night is dangerous and could result in injury or possible death.

INSTALLATION

BRACKET INSTALLATION

1. UNSCREW

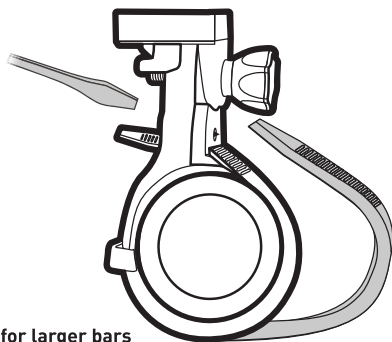
Turn the screw counter clockwise to loosen

2. WRAP

Wrap bracket around the bicycle tube

3. TIGHTEN

Turn the screw clockwise to tighten

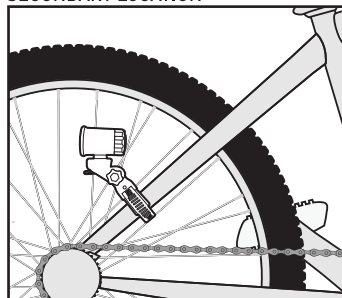
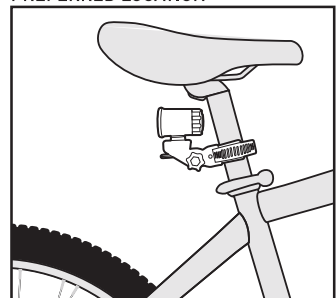


NOTE: Remove the inside bushing for larger bars

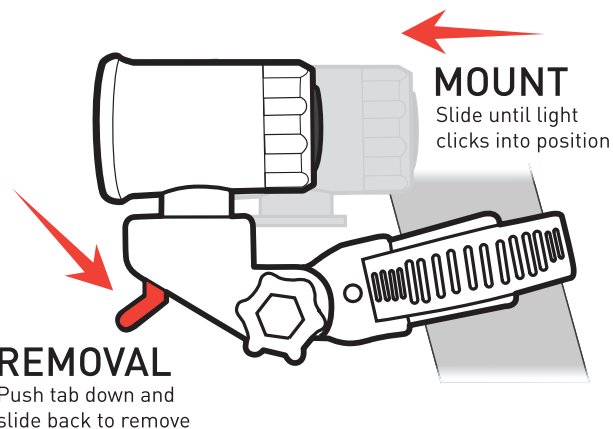
MOUNTING LOCATIONS

PREFERRED LOCATION

SECONDARY LOCATION



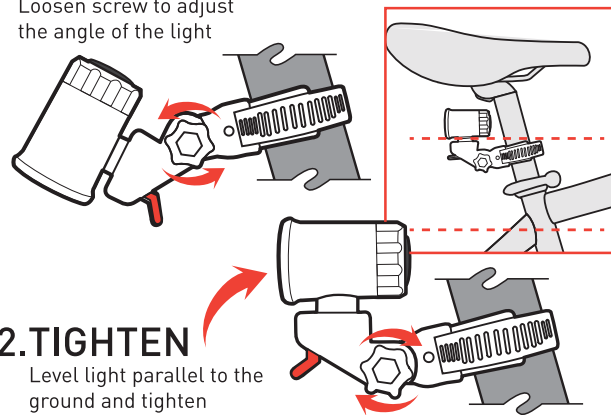
LIGHT MOUNTING & REMOVAL



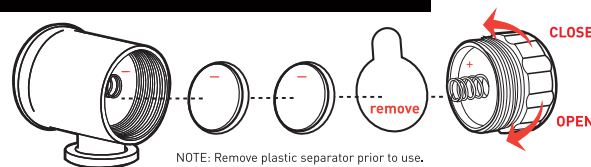
LIGHT ADJUSTMENTS

1. LOOSEN

Loosen screw to adjust the angle of the light

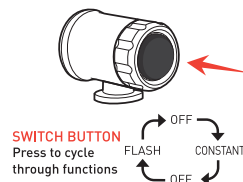


OPERATIONS



BATTERY 2x2032 (3V)

NOTE: Do not mix old and new batteries and do not mix alkaline, standard (carbon-zinc) or rechargeable (Ni-cad, Ni-mh, etc.) batteries.



PREMIER LED RECHARGEABLE BICYCLE LIGHT SET USER'S GUIDE

FOR ANY QUESTIONS OR CONCERNS,
PLEASE EMAIL CUSTOMERSERVICE@ALLENSPORTSUSA.COM

www.ALLENSPORTSUSA.com
800.722.5536

Distributed by R.A. Allen Sports USA Inc. 60 Thoreau St. #161 Concord, MA 01742, USA. The distinctive shapes, styles, packaging, configurations and overall appearances of all Allen Sports products are trademarks of Allen Sports USA.

This device complies with Part 15 of the FCC Rules. Operation is subject to the following two conditions: (1) This device may not cause harmful interference, and (2) this device must accept any interference received, including interference that may cause undesired operation.

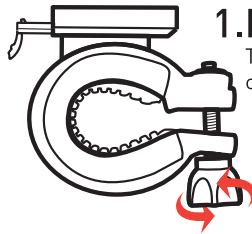
USAGE

LED HEAD LIGHT USAGE INSTRUCTIONS

1. The Premier LED Head Light is water-resistant. Although the light body is water-resistant (under normal weather conditions of rain, etc), never intentionally submerge it under water.
2. If the body or parts become dirty or have been exposed to any contaminants or dirt, gently clean with a soft towel using mild soap and water only. Lubricate and maintain the light body with silicon based grease on the O-rings. Never use harsh chemicals to clean the lighting system as damage to the housing and lens will occur.
3. Safely and properly dispose of the old batteries according to your local regulations.
4. Never place this lighting system within a child's reach.
5. For ultimate safety, the Premier LED Head Light should be used in conjunction with rear safety LED, reflectors, and possible additional front lighting deemed necessary.
6. Always wear an approved bicycle helmet when riding.
7. Riding a bicycle at night is dangerous and could result in injury or possible death.
8. In addition to its brightness, the beam is widely diffused. In case you need to use this light on public roads, be sure to adjust the angle downward so as not to blind oncoming traffic.

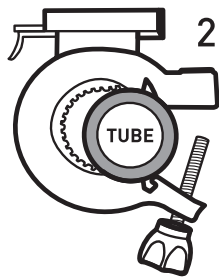
INSTALLATION

BRACKET INSTALLATION



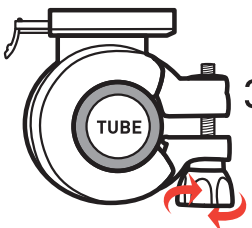
1. LOOSEN

Turn the screw counter clockwise to loosen



2. WRAP

Wrap bracket around the bicycle tube

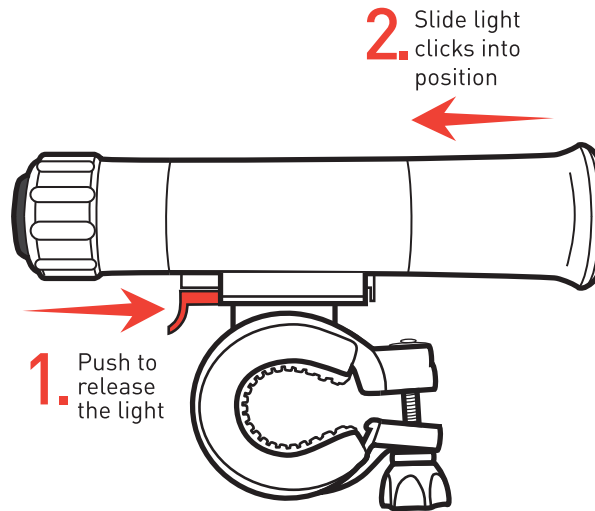


3. TIGHTEN

Turn the screw clockwise to tighten

NOTE: Remove the inside bushing for larger bars

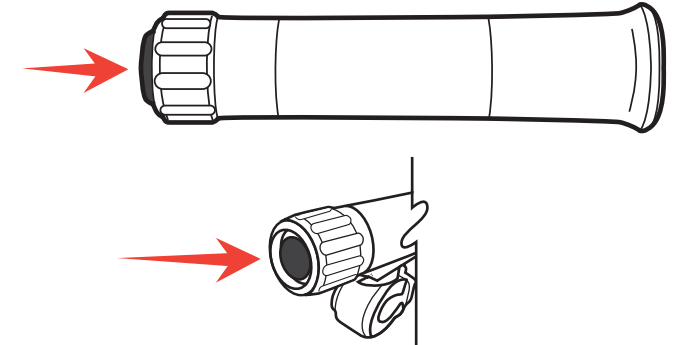
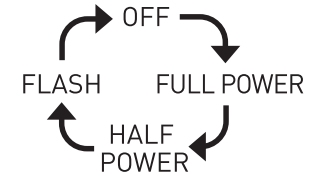
LIGHT MOUNTING & REMOVAL



LIGHT OPERATION



SWITCH BUTTON
Press to cycle through functions



BATTERY RECHARGE

- **ALWAYS FULLY CHARGE BATTERY BEFORE FIRST USE.**
- Insert the battery into the charger (negative (-) end of the battery first).
- Connect the power cord to the battery charger, then plug the standard USB plug into a power USB port.
- The charger LED will illuminate red in color to indicate the battery is charging.
- When fully charged the charger LED will change to green.
- Disconnect the charger USB cord from the powered USB port.
- Remove the battery from the charger.

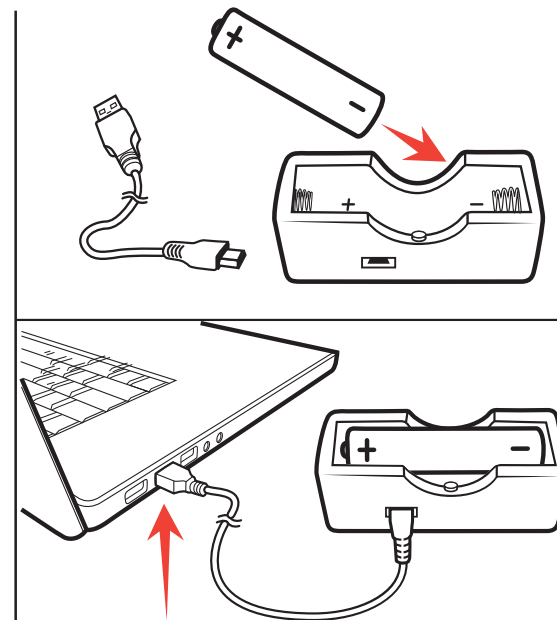
NOTE: Do not leave the charger plugged in when powering up a computer or while the computer is off.

NOTE: Before use, fully charge the batteries.

NOTE: It is normal a new battery to take a few charging cycles to reach maximum battery capacity.

NOTE: When light is not being used for prolonged period time it is recommended to charge the battery once every 3 months to help maintain the rechargeable battery.

NOTE: Do not let the battery fully (100%) discharge as it may cause damage to the battery and result in the battery not being able to be recharged.



BATTERY REPLACEMENT

battery 1x
18650
3.7V
1200mAh

